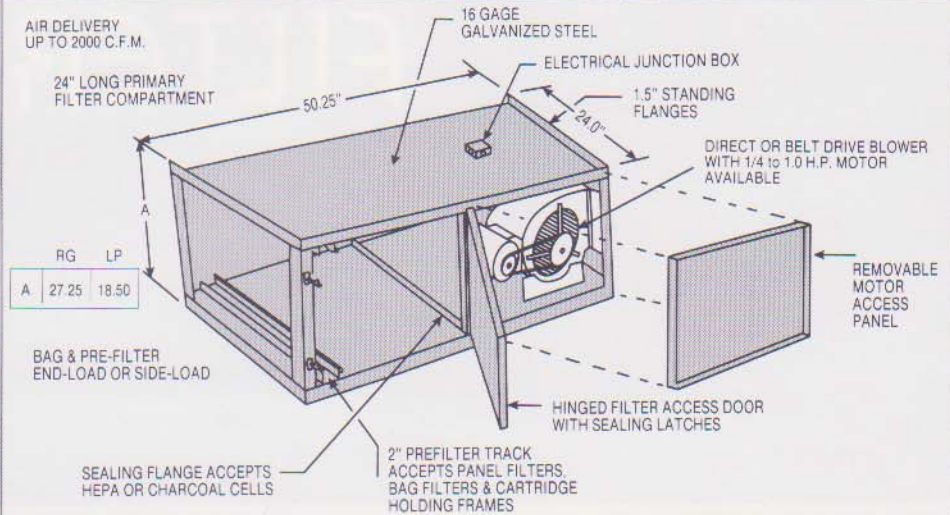


FILTER-MATE® ... BUILT TO LAST

APPLICATIONS

The FM-50 can be used with or without ductwork to move up to 2000 cfm. These units remove cigarette smoke as well as the other 1000 identified indoor air pollutants of which at least 60 are carcinogenic. These contaminants are removed in commercial applications such as computer rooms, lounges, breakrooms, restaurants, kitchens, etc. In industrial applications these units remove weld fumes, oil smoke, lint, dust, oil mist, odors, gases, paint over-spray, etc. Units can be mounted horizontally or vertically to accept source capture hoods, source capture hoses, ductwork, additional filter modules, etc.



FM-50 APPLICATIONS



Horizontally Mounted, Open Circulation for Process Dust & Smoke.

Vertically Mounted to Capture Coolant Smoke & Mist from a CNC Lathe.

DESIGN AND CONSTRUCTION

The FM-50 is a self contained air cleaner with blower, motor, and 26" length filter compartment in one cabinet. Cabinetry is rugged 16-gauge galvanized steel with 1½" flanges for ductwork interface. Acceptance of universal holding frames allow the use of pleated/rigid cells or V-bags with high sealing integrity. Holding clamps allow HEPA filters and charcoal modules to seal positively against an internal sealing flange. Prefilter tracks are available to accept 2" or 4" deep prefilters. Both belt drive and direct drive forward inclined blowers are available. Access door is 16 gauge galvanized steel with replaceable positive sealing latches and replaceable hinges. Access door, access panel, and filter compartment are gasketed for air tight seal.

MODELS AND SPECIFICATIONS

FM-50-LP

Low profile model accepts 12"x24" face dimension filters. Dimensions: 18.5" height x 24.0" width x 50.25" length. Weight: 145 lbs.

MOTOR AND BLOWER COMBINATIONS	CFM AT STATIC PRESSURE, RPM
1/4 HP 3 speed, 115 V.A.C., 9"x7" direct drive blower	800 cfm @ 0.80" S.P. 1075 rpm*
1/3 HP 3 speed, 115 V.A.C., 9"x9" direct drive blower	1000 cfm @ 0.85" S.P. 1100 rpm*
1/2 HP 3 speed, 115 V.A.C., 9"x9" direct drive blower	1200 cfm @ 0.80" S.P. 1100 rpm*
1/2 HP 3 speed, 115 V.A.C., 9"x9" direct drive blower	1000 cfm @ 1.80" S.P. 1625 rpm*
1/3 HP 1 speed, 115 V.A.C., 9"x7" belt drive blower	800 cfm @ 0.70" S.P. 1100 rpm
1/2 HP 1 speed, 115/230 V.A.C., 9"x9" belt drive blower	1000 cfm @ 1.00" S.P. 1200 rpm

*Motor overload will occur if operated at static pressures below this level.

OPTIONS: (1) 2-way louvered exhaust grill; (2) exterior primer coating; (3) filters

FILTER COMBINATIONS

- 2" Prefilter + 12" Pleated + 8" charcoal
- 2" Prefilter + 12" 95% HEPA + 8" charcoal
- 2" Prefilter + 24" long bag filter
- 4" Prefilter + 12" Pleated or 12" 95% HEPA

NOTES:

- Header track is required for pleated/rigid filter or bag filter.
- Holding clamps are required for HEPA and charcoal filters.
- Charcoal cells are available in 8" deep disposable partial bypass (up to 20 lb. maximum) or refillable solid bed (30 lb. maximum).
- CFM can vary depending on filter combination used.

Design & Specification Subject to Change Without Notice.

FM-50-RG

Regular housing accepts 24"x24" face dimension filters. Dimensions: 27.25" height x 24.0" width x 50.25" length. Weight: 195 lbs.

MOTOR AND BLOWER COMBINATIONS	CFM AT STATIC PRESSURE, RPM
1/2 HP 3 speed, 115 V.A.C., 10"x10" direct drive blower	1600 cfm @ 1.00" S.P. 1075 rpm*
3/4 HP 3 speed, 115 or 230 V.A.C., 10"x10" direct drive blower	2000 cfm @ 0.90" S.P. 1075 rpm*
3/4 HP 3 speed, 230 V.A.C., 12"x9" direct drive blower	1700 cfm @ 1.70" S.P. 1075 rpm*
1/2 HP 1 speed, 115/230 V.A.C., 10" x 10" belt drive blower	1600 cfm @ 0.70" S.P. 975 rpm
3/4 HP 1 speed, 115/230 V.A.C., 10"x10" belt drive blower	2000 cfm @ 0.90" S.P. 1075 rpm
1 HP 1 speed, 208-230/460 3-phase V.A.C. 10"x10" belt drive blower	2200 cfm @ 1.00" S.P. 1200 rpm

*Motor overload will occur if operated at static pressures below this level.

FOR ADDITIONAL INFORMATION CONTACT:

HOW TO ORDER

SPECIFY MODEL, MOTOR & BLOWER, VOLTAGE, FILTER REQUIREMENTS & HOLDING HARDWARE



Robertson Manufacturing & Engineering International, Inc.

3209 Springwood Drive • Jonesboro, Arkansas 72404 USA • Phone (870) 933-0148 • (800) 806-6674
 FAX (870) 933-0147 • Web Site: <http://www.filter-mate.com> • E-mail: filtrmate@filter-mate.com